

Drill Adaptor

Extrusion Tool



PATENTED Design

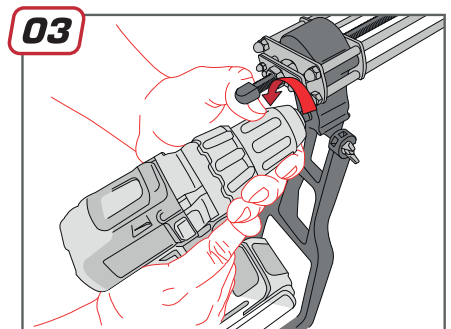
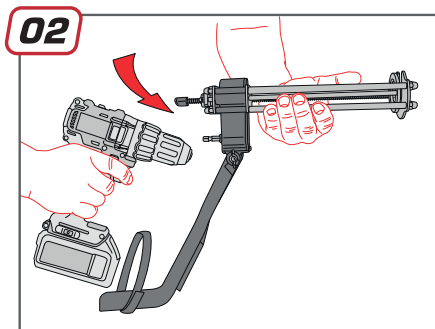
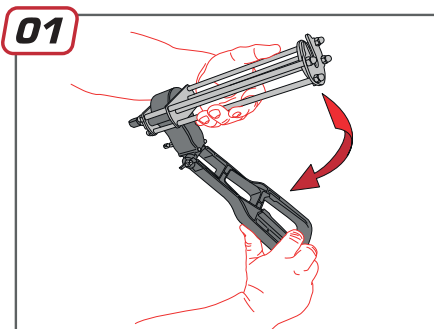
Fits any Modern Battery Drill



Features

- Lightweight 0.72kgs (Silicone) / 1.34kgs (Coaxial)
 - Unlimited & smooth extrusions
- No need for separate battery tools
 - Saves time and energy
 - Easy to store when not in use
- Pressure control, with speed adjustable drills
- Uses standard fittings to fit any battery drill
- Full range of sizes to suit all cartridge types
 - 12 Month manufacturer warranty

Suitable for Cartridge Size	Chemfix Code	Description	Price Each	Case
380ml, 400ml, 410ml (10:1)	68895	DRILL ADPTR EXTR TOOL COAXIAL 380/420ML	P.O.A.	15pcs
165ml, 290ml, 300ml, 310ml (10:1)	68894	DRILL ADPTR EXTR TOOL 165/280/300ML	P.O.A.	15pcs
400ml / 600ml Sausage	68899	DRILL ADPTR Up to 600ml Sausage	P.O.A.	9pcs
400ml Sausage	78562	DRILL ADPTR Up to 400ml Sausage	P.O.A.	15pcs



Drill Adaptor

Extrusion Tool

How to Use



Attach to the bit



Tighten the base



Insert cartridge



Set the torque



Set the speed



Extrude