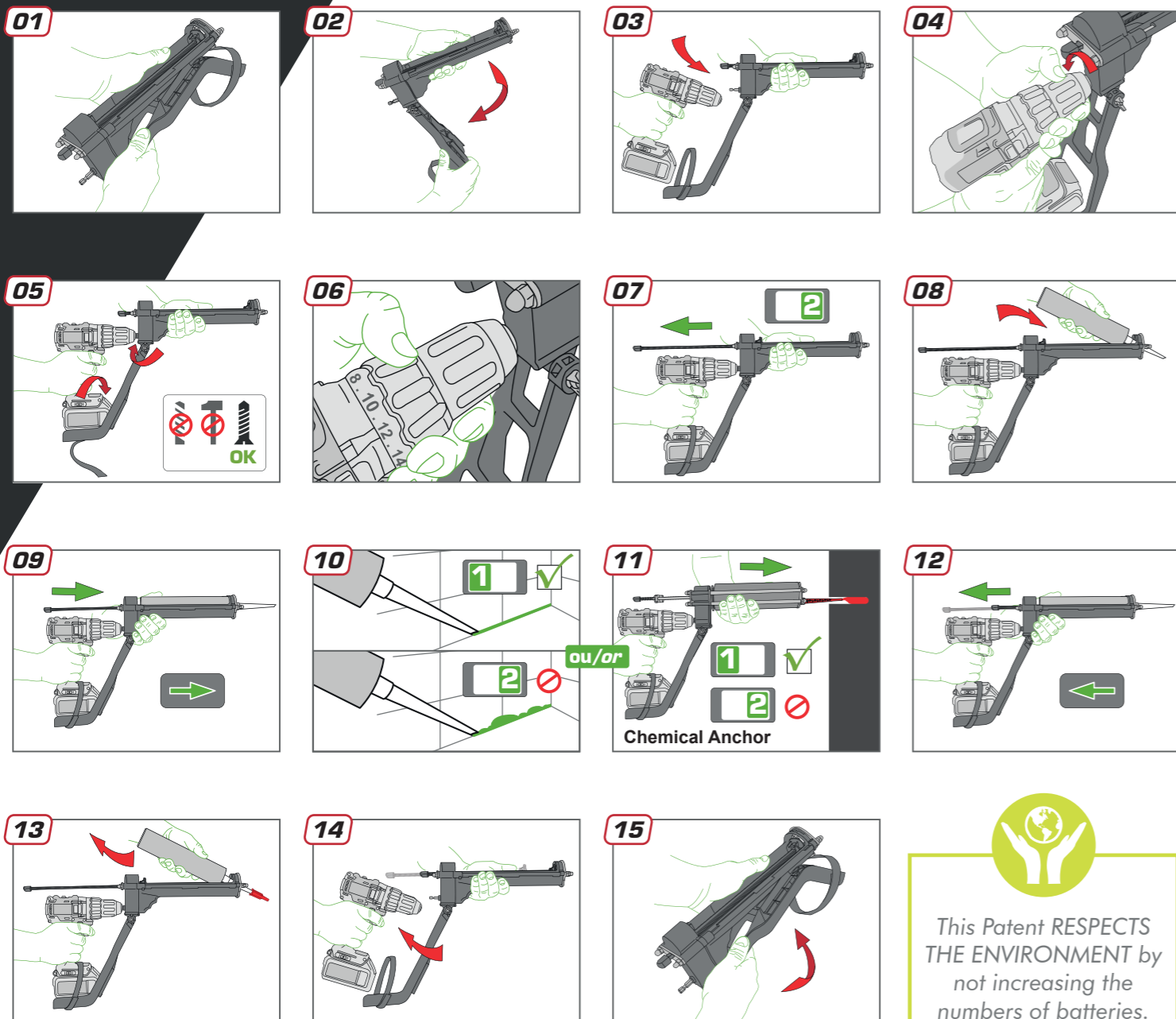


# V DRILL ADAPTOR

CAULKING GUNS ADAPTABLE ON CORDLESS SCREWDRIVERS

## INSTRUCTIONS FOR USE



You have a **cartridge**, we have your **solution**



 This Patent RESPECTS THE ENVIRONMENT by not increasing the numbers of batteries.

2019 © KREASTYL.FR

### CHEMFIX PRODUCTS LTD

Mill Street East - Dewsbury - United Kingdom  
Tél +44 1924 453 886 - info@chemfix.co.uk

[www.chemfix.co.uk](http://www.chemfix.co.uk)

# V DRILL ADAPTOR



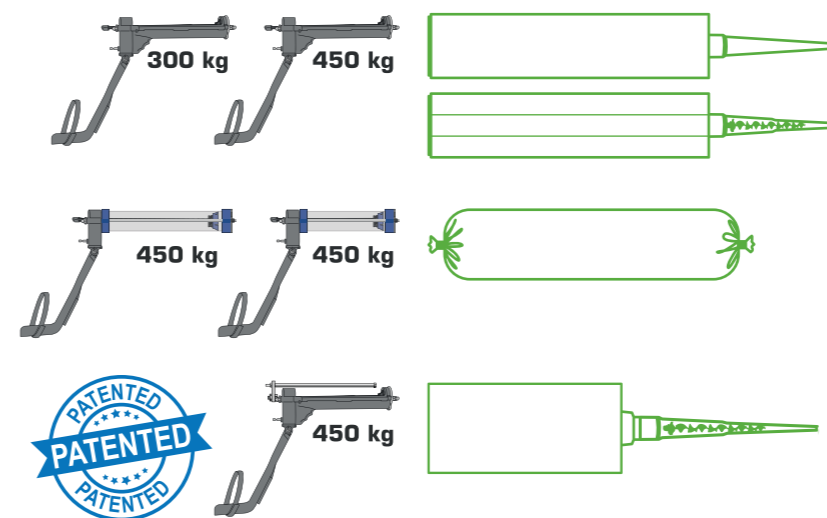
**POWER EXTRUSION**  
with any battery drill



Environmentally friendly



## A SOLUTION FOR EACH TYPE OF CARTRIDGE



**300-310ml**  
**380-420ml**

Intuitive



Easy to use



Light weight



Economical



Reduction of RSI



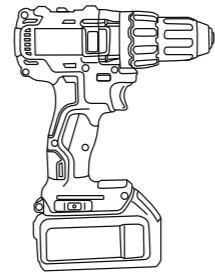
Facilitates extrusion



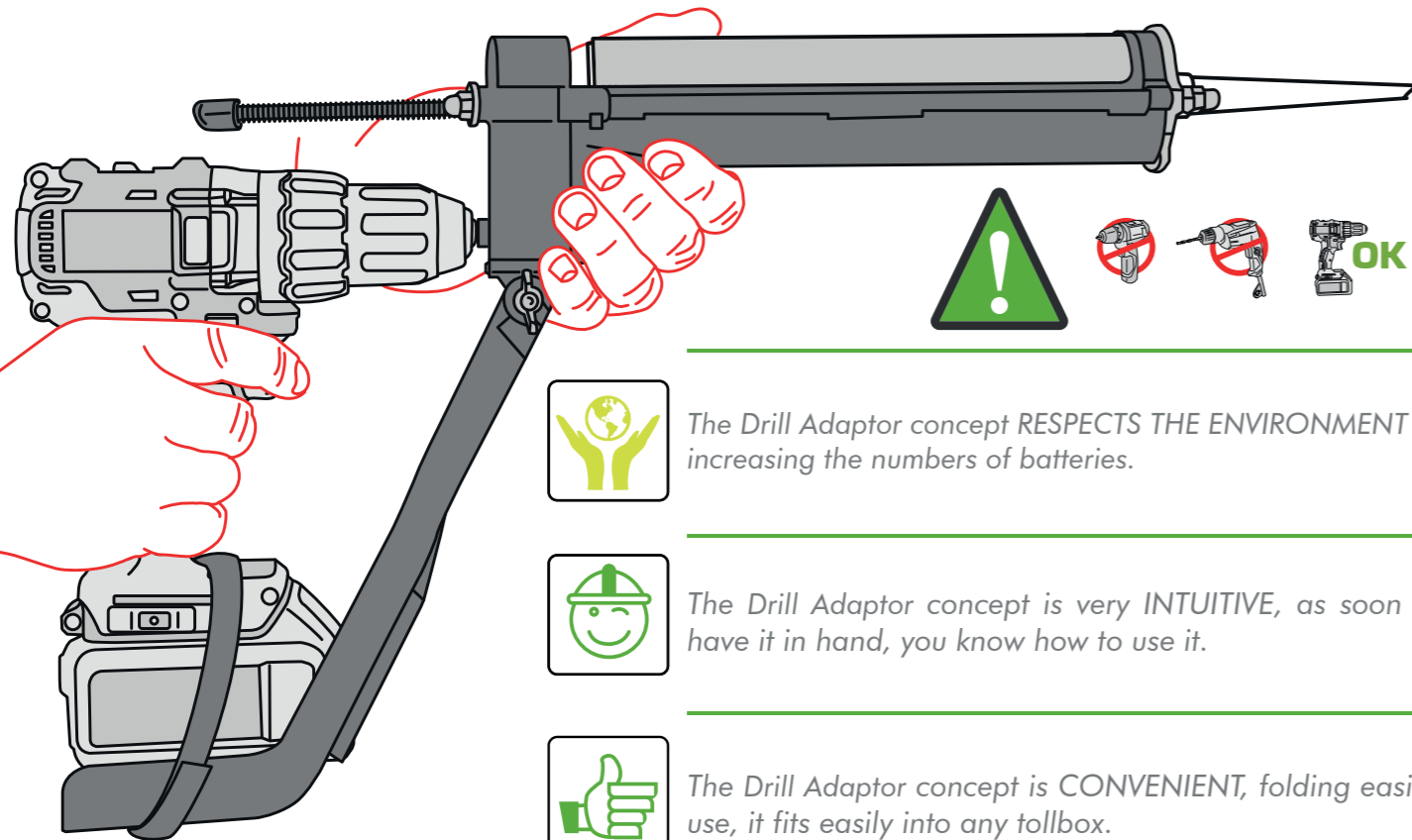
# V DRILL ADAPTOR

## CAULKING GUNS ADAPTABLE ON CORDLESS SCREWDRIVERS

Our guns made of fiberglass reinforced polyamide, and assembled with metal reinforcements are ultra-resistant.



All your guns are adaptable on all electric cordless screwdrivers with battery under the handle (all battery sizes).



The Drill Adaptor concept RESPECTS THE ENVIRONMENT by not increasing the numbers of batteries.



The Drill Adaptor concept is very INTUITIVE, as soon as you have it in hand, you know how to use it.



The Drill Adaptor concept is CONVENIENT, folding easily after use, it fits easily into any toolbox.



The Drill Adaptor concept is LIGHT : 500 to 800 gr less than a motorized gun.



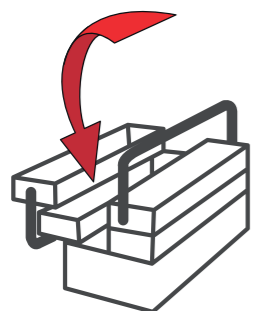
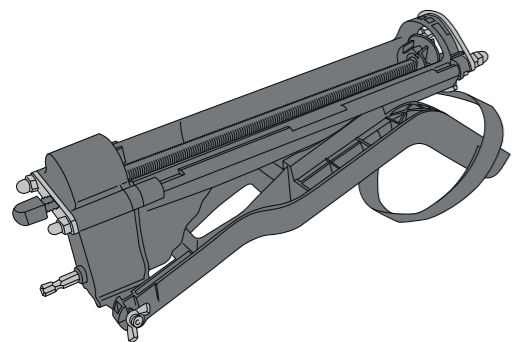
The Drill Adaptor concept is ECONOMICAL, its price is close to that of high-end manual guns.



The Drill Adaptor concept IMPROVES WORKPLACE HEALTH by providing a motorized and lightweight solution. It helps to prevent musculoskeletal disorders.



The Drill Adaptor concept FACILITATES EXTRUSION thanks to its pressure of 300 to 450 kg according to the models.



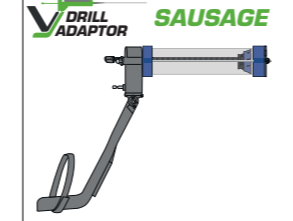
# THE RANGE



A COMPLETE RANGE of 3 basic models for rigid, sausage and bi-component cartridges.

## Chemical Anchor / Sausage / Silicone Cartridges / Coaxial

Push force	Ø 50 mm - 310 ml			Ø 50 mm - 310 ml		Coaxial Ø 65 mm 380 ml - 420ml	Max Torque		Weight gr
	rigid	single	bi-component	Up to 400 ml	Up to 600 ml		10 Nm (88 in.lb)	15 Nm (132 in.lb)	
300 kg									
300 kg	✓	✓	✓			✓		✓	750 gr
450 kg	✓		✓			✓		✓	800 gr
450 kg	✓			✓				✓	820 gr



Other models on request  
All spare parts available